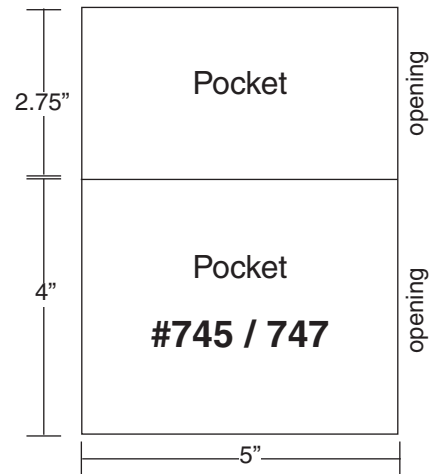
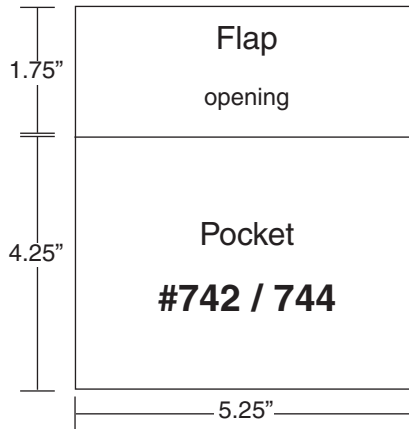




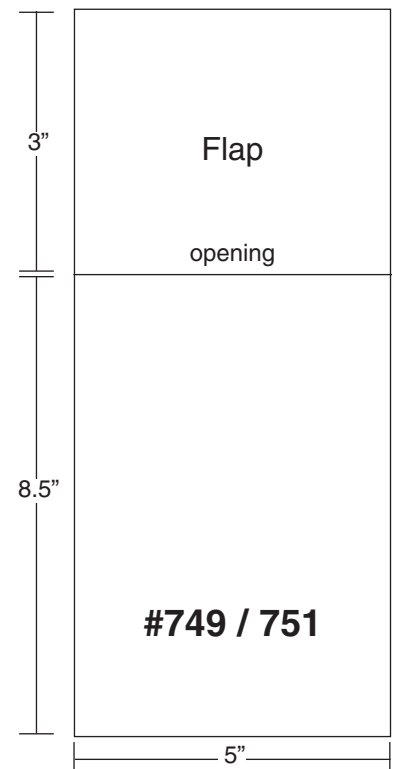
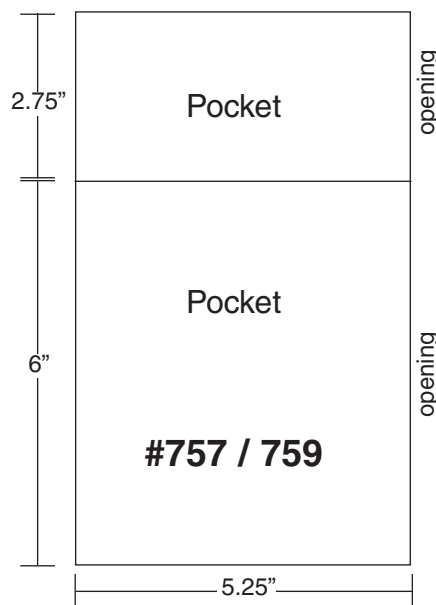
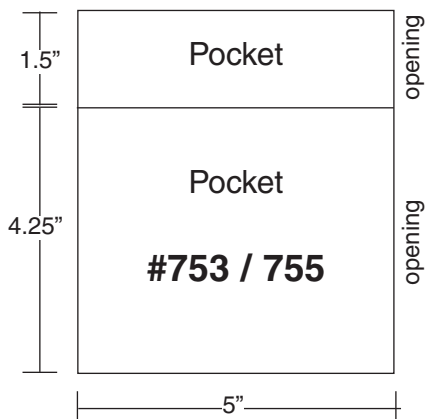
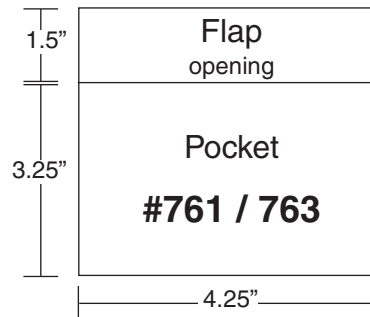
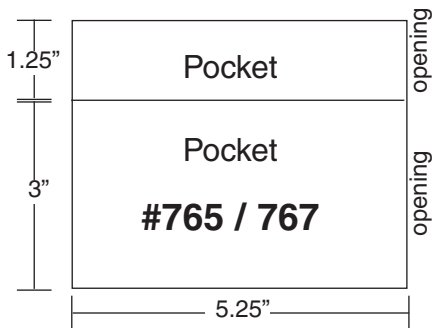
# In Stock Shelf "Talkers"

(not to scale)



# Special Order Shelf "Talkers"

Other sizes of Shelf "Talkers" shown below. Non-adhesive – 57¢ each; Adhesive – 72¢ each.  
Minimum order: 1,000 units • Delivery time: approximately 4 weeks



**Christopher Lee Publications, Inc.**

P.O. Box 1925 • Johns Island, SC 29457 • 800-822-6202 • 843-557-0690 • FAX: 843-557-0695